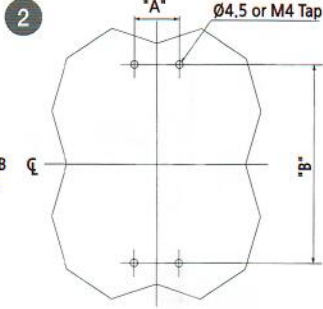
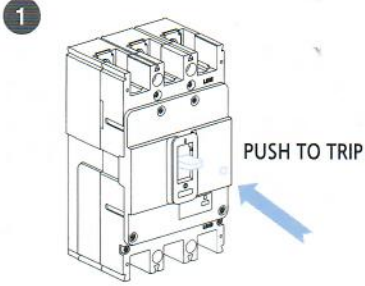


Install

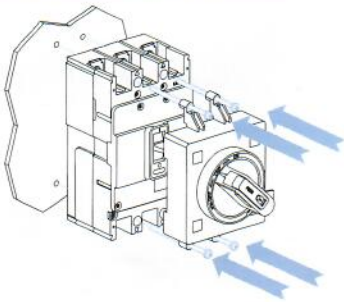
Rotary handle (TFG) & Extended Rotary handle (TFH)



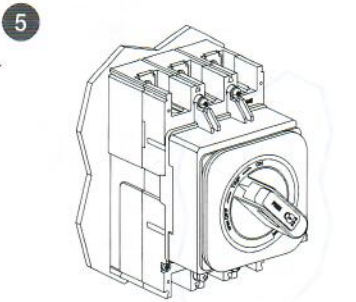
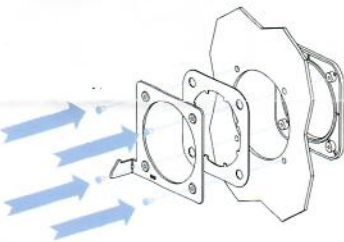
MCCB ELCB	"A"(mm)	"B"(mm)
HGM100 HGE100	25	111
HGM125 HGE125	30	132
HGM250 HGE250	35	126

Rotary handle (TFG)

3 P/H Screw, M4XL80(4EA) 11kgf-cm

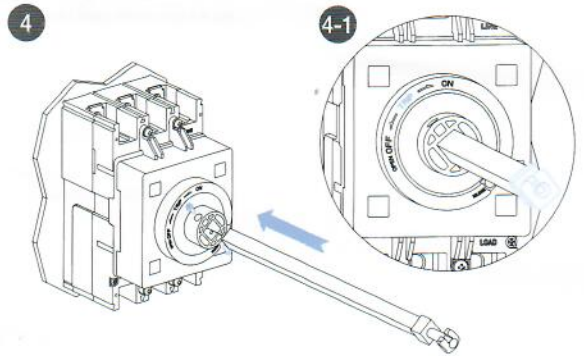
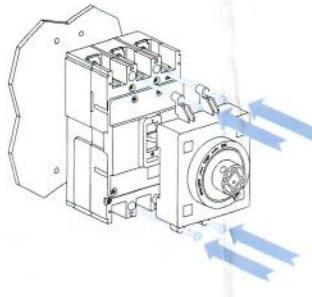


4 P/H Screw, M3XL8(4EA) 9kgf-cm

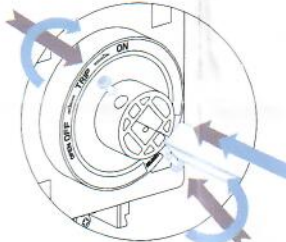


Extended Rotary handle (TFH)

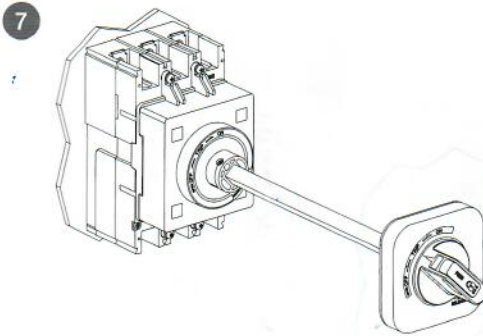
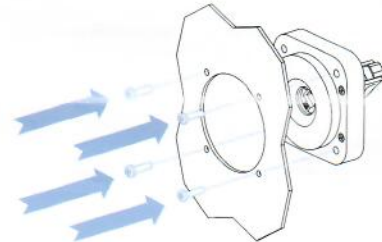
3 P/H Screw, M4XL80(4EA) 11kgf-cm



5 P/H Screw, M3XL6(2EA) 9kgf-cm



6 P/H Screw, M5XL12(4EA) 15kgf-cm



Operating condition

	ON	OFF	TRIP	RESET & OPEN	RELEASE	LOCKING
HGM 100~250 HGE 100~250						
Panel Door	Locked	Locked	Locked	Can open	Can open	Locked *.Impossible to operation

⚠️ 패널 잠금 상태에서 무리한 힘으로 문을 열면 잠금 레버가 손상 됩니다.
If the door is opened too strongly when the panel door is locked, the handle lock lever could be damaged.