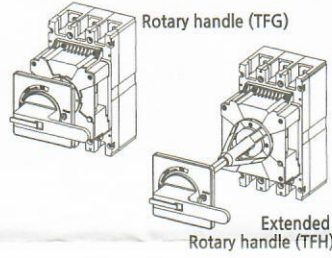


# Rotary/ Extended Rotary handle

HGM400, HGM630, HGM800  
HGE400, HGE630, HGE800



▲ 현대일렉트릭

울산광역시 동구 방어진순원로 700  
A/S 센터 : Tel)090-230-7778 / 052-202-7777  
홈페이지 : www.hyundai-elec.com

▲ HYUNDAI ELECTRIC

700 Bangeojinsunhwando-ro, Dong-gu, Ulsan, Korea  
A/S center : Tel)080-230-7778 / 052-202-7777  
Homepage : www.hyundai-elec.com

⚠ 주의

- 제품을 설치하기 전 주의사항을 반드시 읽고 설명에 따라 설치하여 주십시오.
- 차단기의 설치 및 보수는 유자격자(전기공사자)가 행하여 주십시오. 잘못된 설치로 인한 오동작 또는 사고가 발생할 위험이 있습니다.

⚠ CAUTION

- Before installation, be sure to read the manual carefully to ensure proper operation
- Installation, maintenance and inspection of the circuit breaker should be performed by persons who are qualified for electric work.

⚠ CUIDADO

- Antes da instalação, certifique-se de ler atentamente o manual e entender os procedimentos para o funcionamento adequado
- A instalação, manutenção e inspeção do disjuntor deve ser realizada por pessoas qualificadas para o trabalho elétrico.

⚠ PRECAUCION

- Antes de la instalación, asegúrese de leer el manual cuidadosamente y comprenda los procedimientos para la apropiada operación
- La instalación, mantenimiento e inspección del interruptor automático debe ser realizada por personas cualificadas para el trabajo eléctrico.

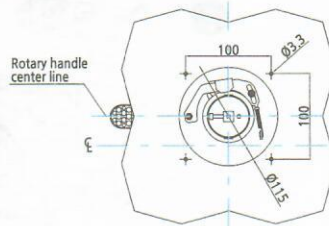
⚠ ПРЕДУПРЕЖДЕНИЕ

- Перед установкой, внимательно прочтите инструкцию по эксплуатации и ознакомьтесь с порядком выполнения необходимых условий и процедур для корректной работы оборудования.
- Установка, ремонт и осмотр автоматического выключателя должен выполняться квалифицированным специалистом по электрооборудованию.

Panel dimensions

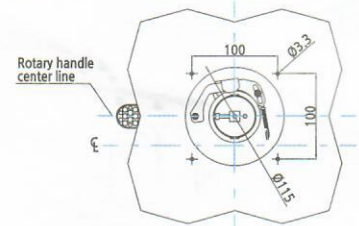
단위 : mm / unit : mm

Rotary handle (TFG)

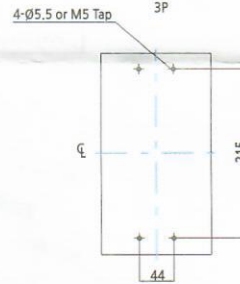


HGM/HGE400, HGM/HGE630, HGM/HGE800

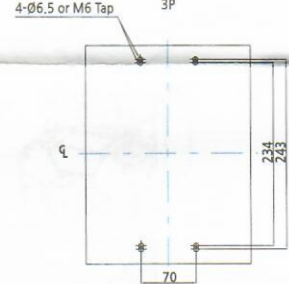
Extended Rotary handle (TFH)



HGM/HGE400, HGM/HGE630, HGM/HGE800



HGM/HGE400



HGM/HGE630, HGM/HGE800

Application

| Option   | MCCB HGM400 |     |          | Option             | MCCB HGM630/HGM800 |     |     |
|----------|-------------|-----|----------|--------------------|--------------------|-----|-----|
|          | 2P/3P       | 4PR | 4PN      |                    | 2P/3P              | 4PR | 4PN |
| TFG 40GM | 0           | 0   | 0        | TFG 80GM           | 0                  | 0   | 0   |
| TFH 40GM | 0           | 0   | 0        | TFH 80GM           | 0                  | 0   | 0   |
| Option   | ELCB HGE400 |     | Option   | ELCB HGE630/HGE800 |                    |     |     |
|          | 2P/3P       | 4PR |          | 3P                 | 4PR                |     |     |
| TFG 40GM | 0           | 0   | TFG 80GM | 0                  | X                  |     |     |
| TFH 40GM | 0           | 0   | TFH 80GM | 0                  | X                  |     |     |

\*. 4PR=RSTN / 4PN=NRST

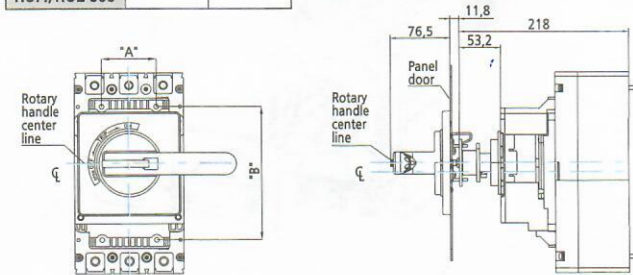
\*. Common(40GM/80GM) : Install dimensions

\*. Difference(40GM/80GM) : Trip Button(40GM : Presence / 80GM : Absence)

Install dimensions

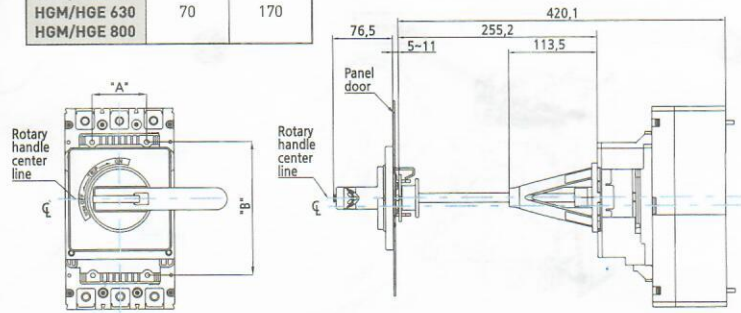
Rotary handle (TFG)

| MCCB ELCB                                 | "A"(mm) | "B"(mm) |
|---|---------|---------|
| HGM/HGE 400<br>HGM/HGE 630<br>HGM/HGE 800 | 70      | 170     |



Extended Rotary handle (TFH)

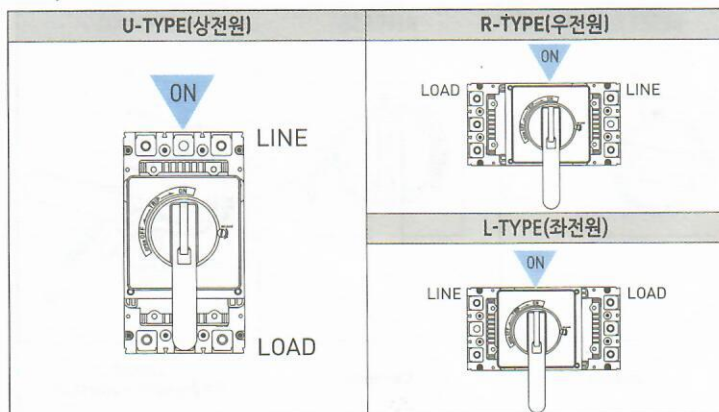
| MCCB ELCB                                 | "A"(mm) | "B"(mm) |
|---|---------|---------|
| HGM/HGE 400<br>HGM/HGE 630<br>HGM/HGE 800 | 70      | 170     |



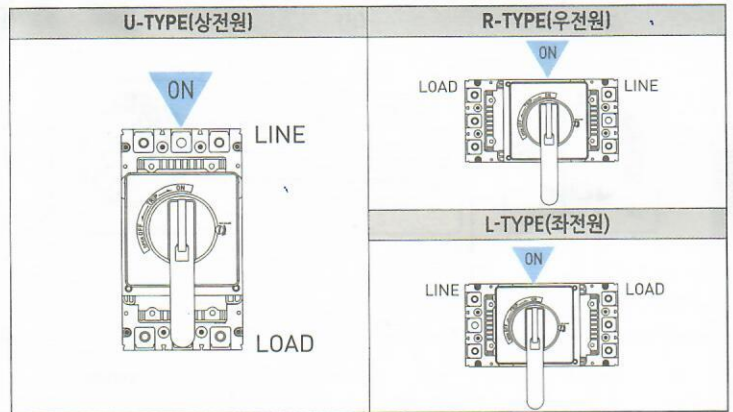
단위 : mm / unit : mm

Installation type

Rotary handle (TFG)

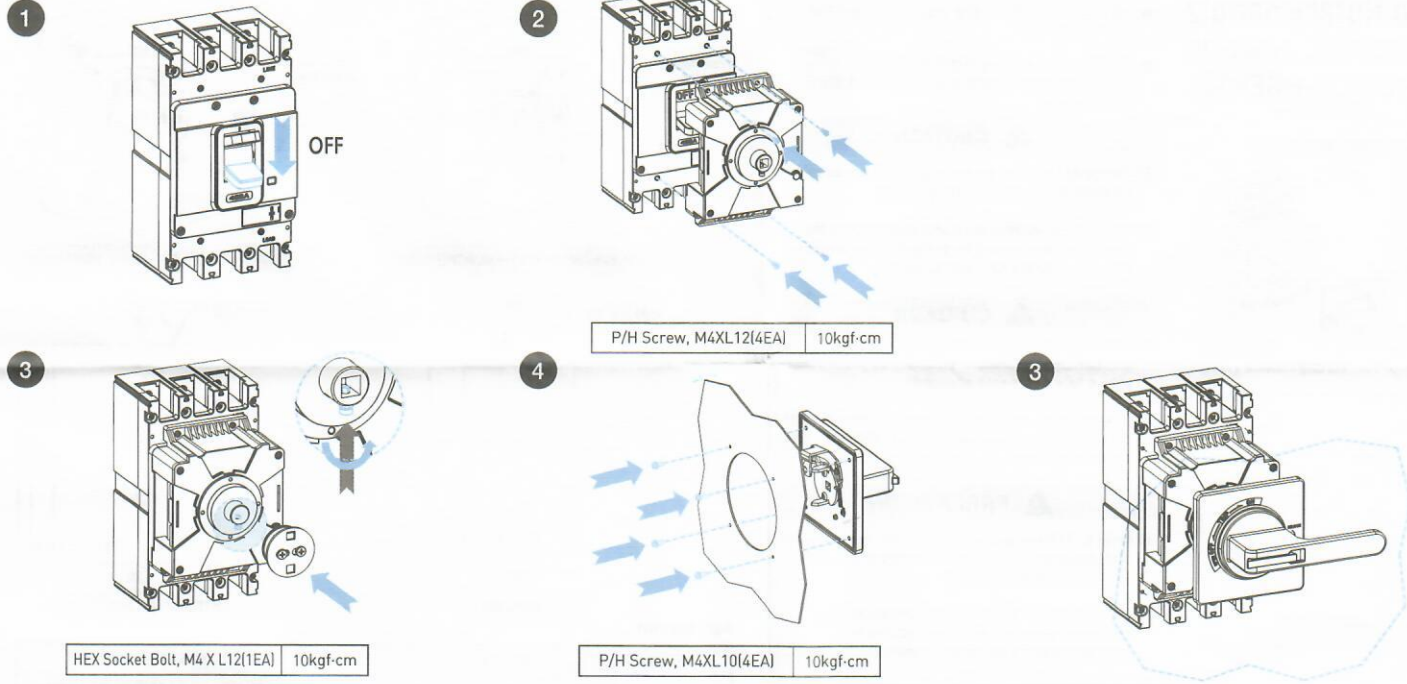


Extended Rotary handle (TFH)

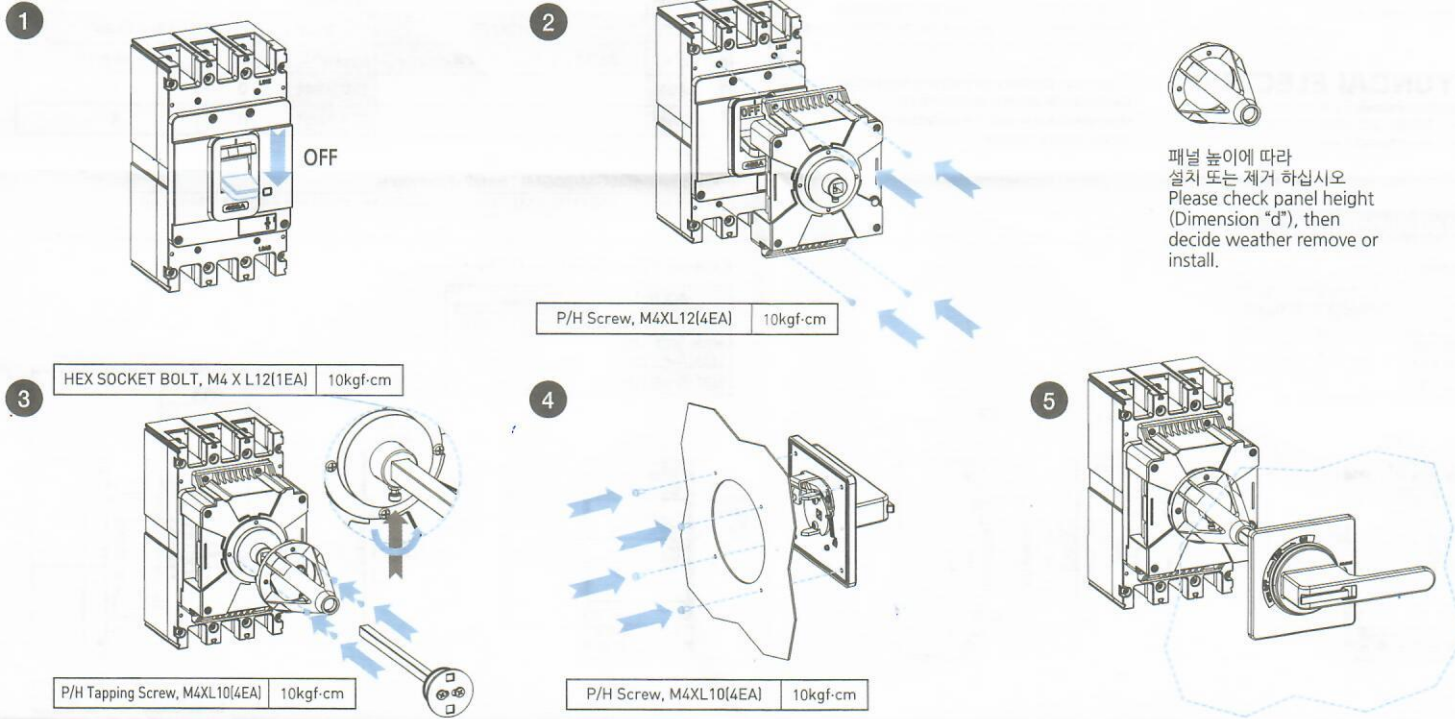


Install

Rotary handle (TFG)



Extended Rotary handle (TFH)



Operating condition

|                      | ON     | OFF    | TRIP   | RESET & OPEN | RELEASE  | LOCKING                            |
|----------------------|--------|--------|--------|--------------|----------|------------------------------------|
| HGM400<br>HGM630/800 |        |        |        |              |          |                                    |
| Panel Door           | Locked | Locked | Locked | Can open     | Can open | Locked<br>*Impossible to operation |

⚠ 패널 잠금 상태에서 무리한 힘으로 문을 열면 잠금 레버가 손상 됩니다.  
If the door is opened too strongly when the panel door is locked, the handle lock lever could be damaged.