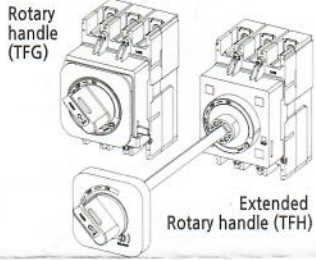


# Rotary / Extended Rotary handle

HGM100, HGM125, HGM250  
HGE100, HGE125, HGE250



### 주의

- 제품을 설치하기 전 주의사항을 반드시 읽고 설명에 따라 설치하여 주십시오.
- 차단기의 설치 및 보수는 유자격자(전기공사사)가 행하여 주십시오. 잘못된 설치로 인한 오동작 또는 사고가 발생할 위험이 있습니다.

### CAUTION

- Before installation, be sure to read the manual carefully to ensure proper operation
- Installation, maintenance and inspection of the circuit breaker should be performed by persons who are qualified for electric work.

### CUIDADO

- Antes da instalação, certifique-se de ler atentamente o manual e entender os procedimentos para o funcionamento adequado
- A instalação, manutenção e inspeção do disjuntor deve ser realizada por pessoas qualificadas para o trabalho elétrico.

### PRECAUCION

- Antes de la instalación, asegúrese de leer el manual cuidadosamente y comprenda los procedimientos para la apropiada operación
- La Instalación, mantenimiento e inspección del interruptor automático debe ser realizada por personas cualificadas para el trabajo eléctrico.

### ПРЕДУПРЕЖДЕНИЕ

- Перед установкой, внимательно прочтите инструкцию по эксплуатации и ознакомьтесь с порядком выполнения необходимых условий и процедур для корректной работы оборудования.
- Установка, ремонт и осмотр автоматического выключателя должен выполняться квалифицированным специалистом по электрооборудованию.

### 현대중공업

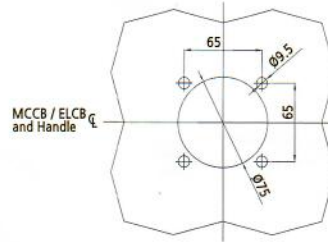
울산광역시 동구 방어진순환도로1000 현대중공업(주)  
Tel) 032 - 888 - 4483 Fax) 032 - 881 - 0086  
홈페이지 : www.hyundai-elec.com

### HYUNDAI HEAVY INDUSTRIES

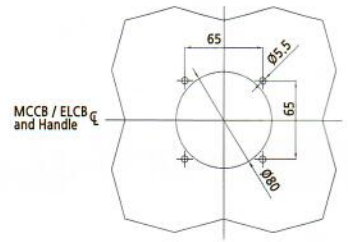
1000 Bangeojin sunhwan-doro, Dong-gu, Ulsan, Korea  
Tel) 032 - 888 - 4483 Fax) 032 - 881 - 0086  
Homepage : www.hyundai-elec.com

### Panel dimensions

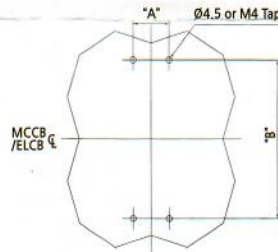
#### Rotary handle (TFG)



#### Extended Rotary handle (TFH)



#### HGM/HGE 100, 125, 250



MCCB ELCB	"A"(mm)	"B"(mm)
HGM100 HGE100	25	111
HGM125 HGE125	30	132
HGM250 HGE250	35	126

MCCB	HGM100				HGM125				HGM250		
	2P	3P	4PR	4PN	2P	3P	4PR	4PN	2P/3P	4PR	4PN
TFG	X	0	0	0	X	0	0	0	0	0	0
TFH	X	0	0	0	X	0	0	0	0	0	0

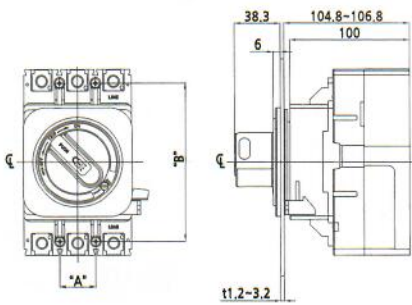
  

ELCB	HGE100		HGE125		HGE250	
	2P/3P	4PR	3P	4PR	2P/3P	4PR
TFG	0	0	0	0	0	0
TFH	0	0	0	0	0	0

\*. 4PR=RSTN / 4PN=NRST

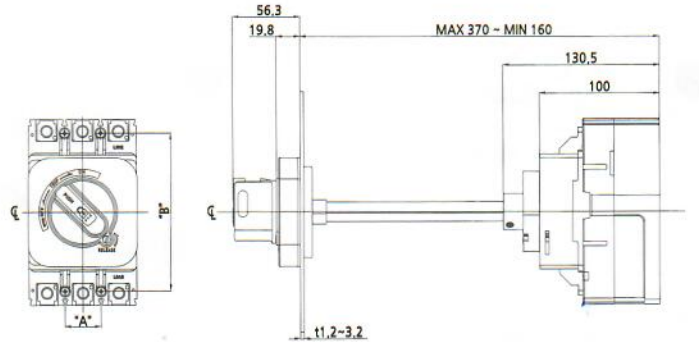
### Install dimensions

#### Rotary handle (TFG)



MCCB ELCB	"A"(mm)	"B"(mm)
HGM100 HGE100	25	111
HGM125 HGE125	30	132
HGM250 HGE250	35	126

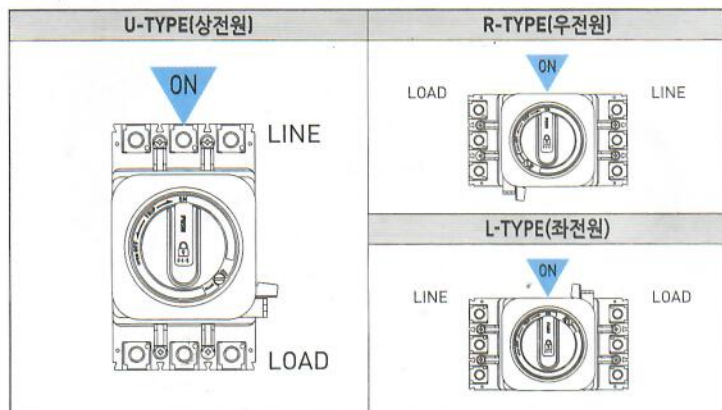
#### Extended Rotary handle (TFH)



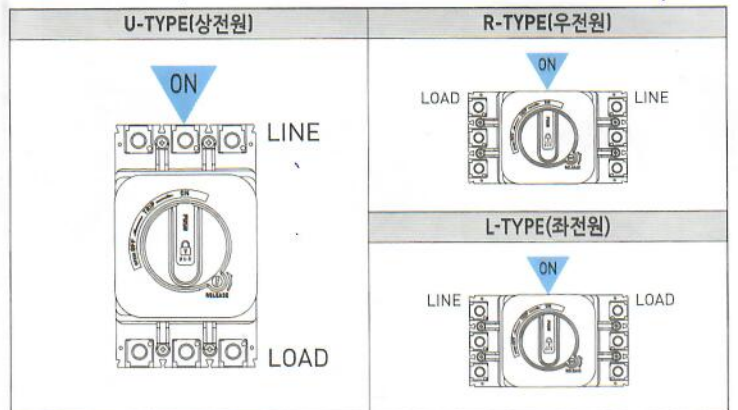
단위 : mm / unit : mm

### Installation type

#### Rotary handle (TFG)

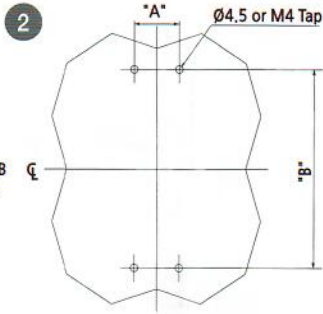
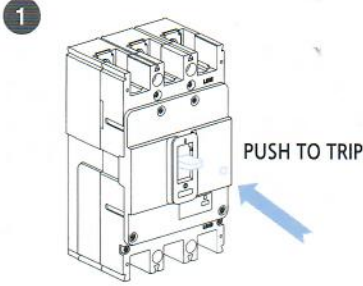


#### Extended Rotary handle (TFH)



**Install**

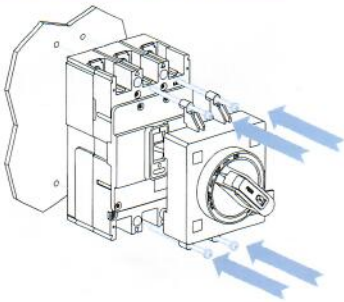
Rotary handle (TFG) & Extended Rotary handle (TFH)



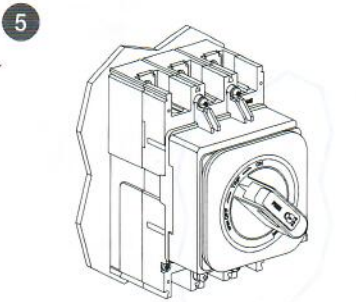
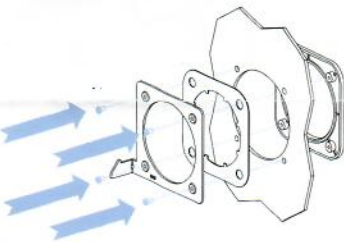
MCCB ELCB	"A"(mm)	"B"(mm)
HGM100 HGE100	25	111
HGM125 HGE125	30	132
HGM250 HGE250	35	126

Rotary handle (TFG)

3 P/H Screw, M4XL80(4EA) 11kgf-cm

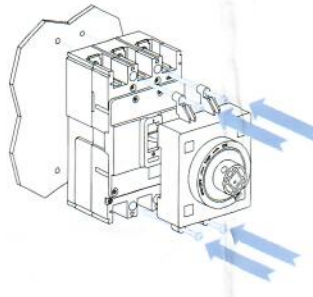


4 P/H Screw, M3XL8(4EA) 9kgf-cm

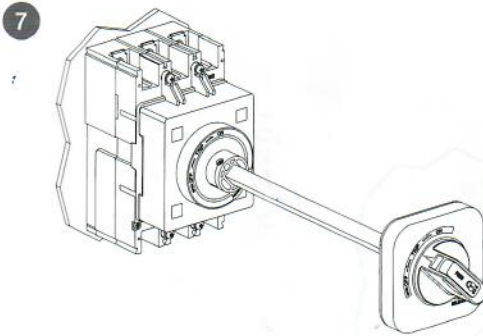
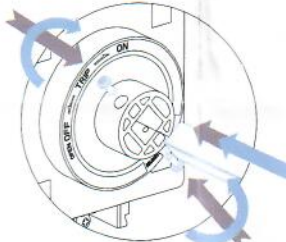


Extended Rotary handle (TFH)

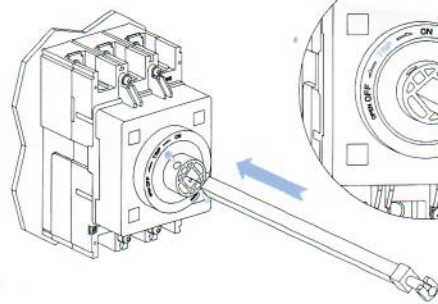
3 P/H Screw, M4XL80(4EA) 11kgf-cm



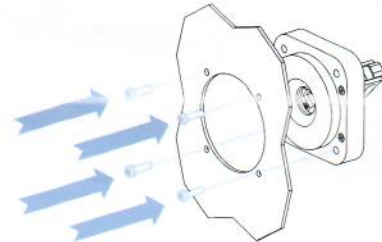
5 P/H Screw, M3XL6(2EA) 9kgf-cm



4



6 P/H Screw, M5XL12(4EA) 15kgf-cm



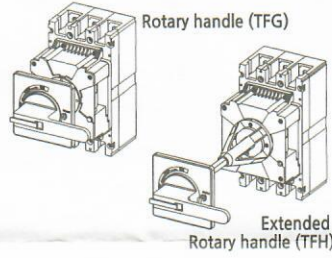
**Operating condition**

	ON	OFF	TRIP	RESET & OPEN	RELEASE	LOCKING
HGM 100~250 HGE 100~250						
Panel Door	Locked	Locked	Locked	Can open	Can open	Locked *.Impossible to operation

⚠️ 패널 잠금 상태에서 무리한 힘으로 문을 열면 잠금 레버가 손상 됩니다.  
If the door is opened too strongly when the panel door is locked, the handle lock lever could be damaged.

# Rotary/ Extended Rotary handle

HGM400, HGM630, HGM800  
HGE400, HGE630, HGE800



▲ 현대일렉트릭

울산광역시 동구 방어진순원로 700  
A/S 센터 : Tel)090-230-7778 / 052-202-7777  
홈페이지 : www.hyundai-elec.com

▲ HYUNDAI ELECTRIC

700 Bangeojinsunhwando-ro, Dong-gu, Ulsan, Korea  
A/S center : Tel)080-230-7778 / 052-202-7777  
Homepage : www.hyundai-elec.com

⚠ 주의

- 제품을 설치하기 전 주의사항을 반드시 읽고 설명에 따라 설치하여 주십시오.
- 차단기의 설치 및 보수는 유자격자(전기공사자)가 행하여 주십시오. 잘못된 설치로 인한 오동작 또는 사고가 발생할 위험이 있습니다.

⚠ CAUTION

- Before installation, be sure to read the manual carefully to ensure proper operation
- Installation, maintenance and inspection of the circuit breaker should be performed by persons who are qualified for electric work.

⚠ CUIDADO

- Antes da instalação, certifique-se de ler atentamente o manual e entender os procedimentos para o funcionamento adequado
- A instalação, manutenção e inspeção do disjuntor deve ser realizada por pessoas qualificadas para o trabalho elétrico.

⚠ PRECAUCION

- Antes de la instalación, asegúrese de leer el manual cuidadosamente y comprenda los procedimientos para la apropiada operación
- La instalación, mantenimiento e inspección del interruptor automático debe ser realizada por personas cualificadas para el trabajo eléctrico.

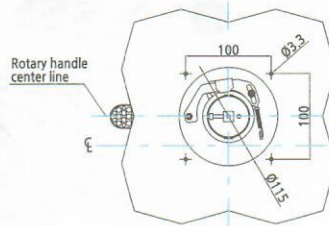
⚠ ПРЕДУПРЕЖДЕНИЕ

- Перед установкой, внимательно прочтите инструкцию по эксплуатации и ознакомьтесь с порядком выполнения необходимых условий и процедур для корректной работы оборудования.
- Установка, ремонт и осмотр автоматического выключателя должен выполняться квалифицированным специалистом по электрооборудованию.

Panel dimensions

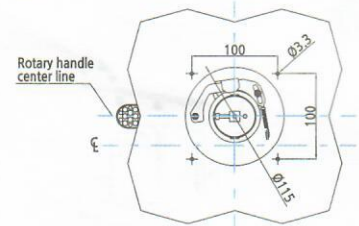
단위 : mm / unit : mm

Rotary handle (TFG)

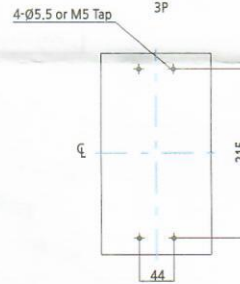


HGM/HGE400, HGM/HGE630, HGM/HGE800

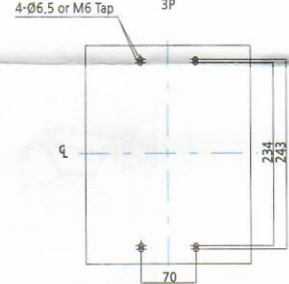
Extended Rotary handle (TFH)



HGM/HGE400, HGM/HGE630, HGM/HGE800



HGM/HGE400



HGM/HGE630, HGM/HGE800

Application

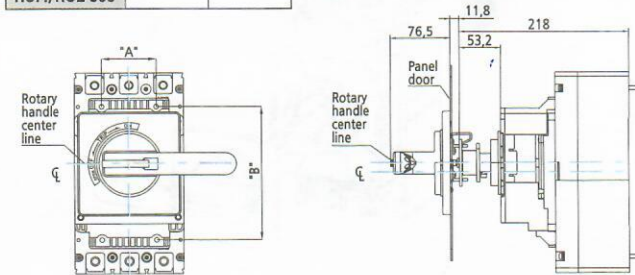
Option	MCCB			MCCB		
	HGM400	HGM630/HGM800		HGM400	HGM630/HGM800	
TFG 40GM	0	0	0	TFG 80GM	0	0
TFH 40GM	0	0	0	TFH 80GM	0	0
Option	ELCB		ELCB			
	HGE400	HGE630/HGE800	HGE400	HGE630/HGE800		
TFG 40GM	0	0	TFG 80GM	0	X	
TFH 40GM	0	0	TFH 80GM	0	X	

\*. 4PR=RSTN / 4PN=NRST  
 \*. Common(40GM/80GM) : Install dimensions  
 \*. Difference(40GM/80GM) : Trip Button(40GM : Presence / 80GM : Absence)

Install dimensions

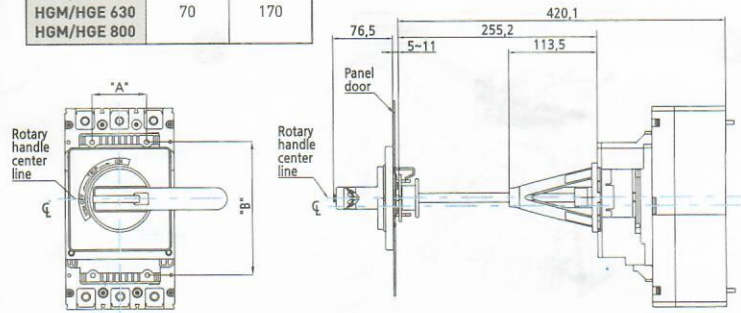
Rotary handle (TFG)

MCCB ELCB	"A"(mm)	"B"(mm)
HGM/HGE 400 HGM/HGE 630 HGM/HGE 800	70	170



Extended Rotary handle (TFH)

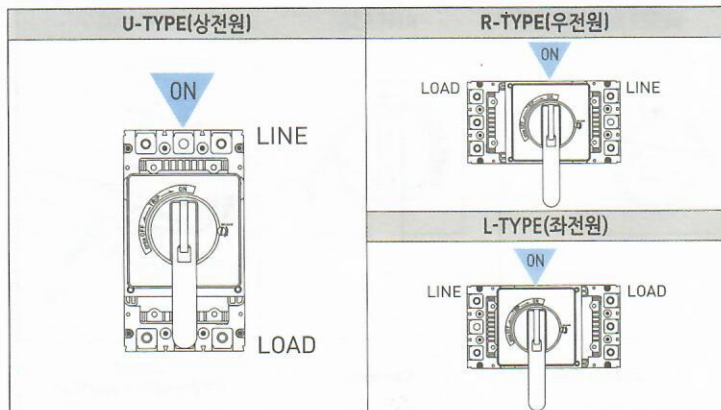
MCCB ELCB	"A"(mm)	"B"(mm)
HGM/HGE 400 HGM/HGE 630 HGM/HGE 800	70	170



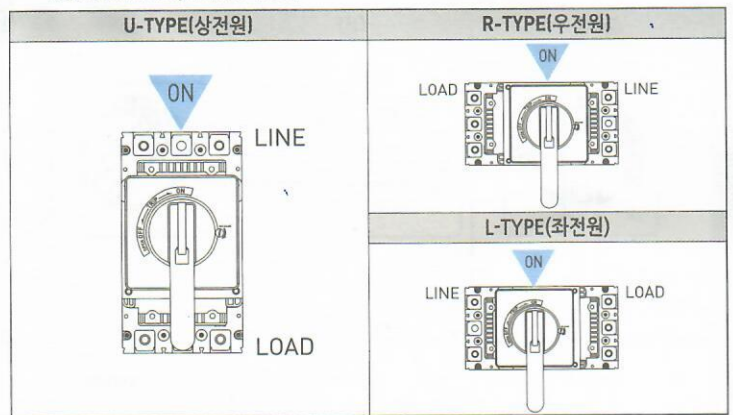
단위 : mm / unit : mm

Installation type

Rotary handle (TFG)

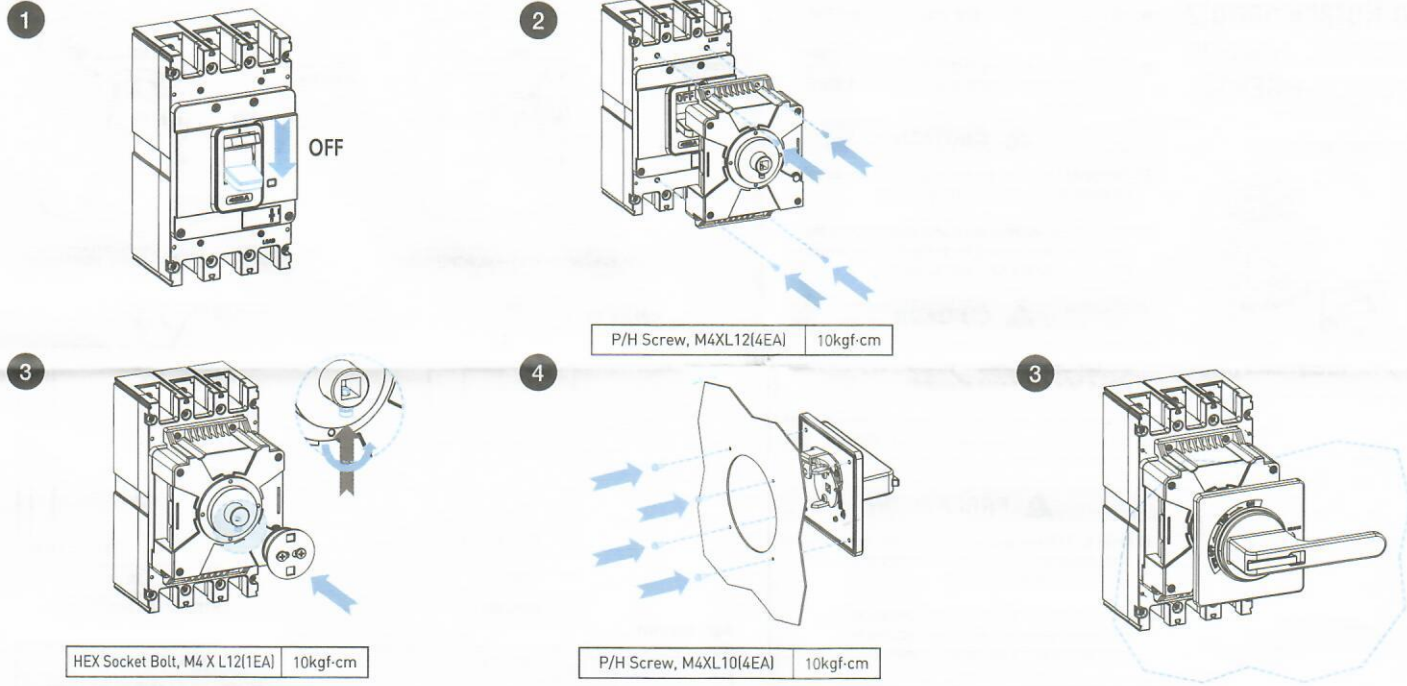


Extended Rotary handle (TFH)

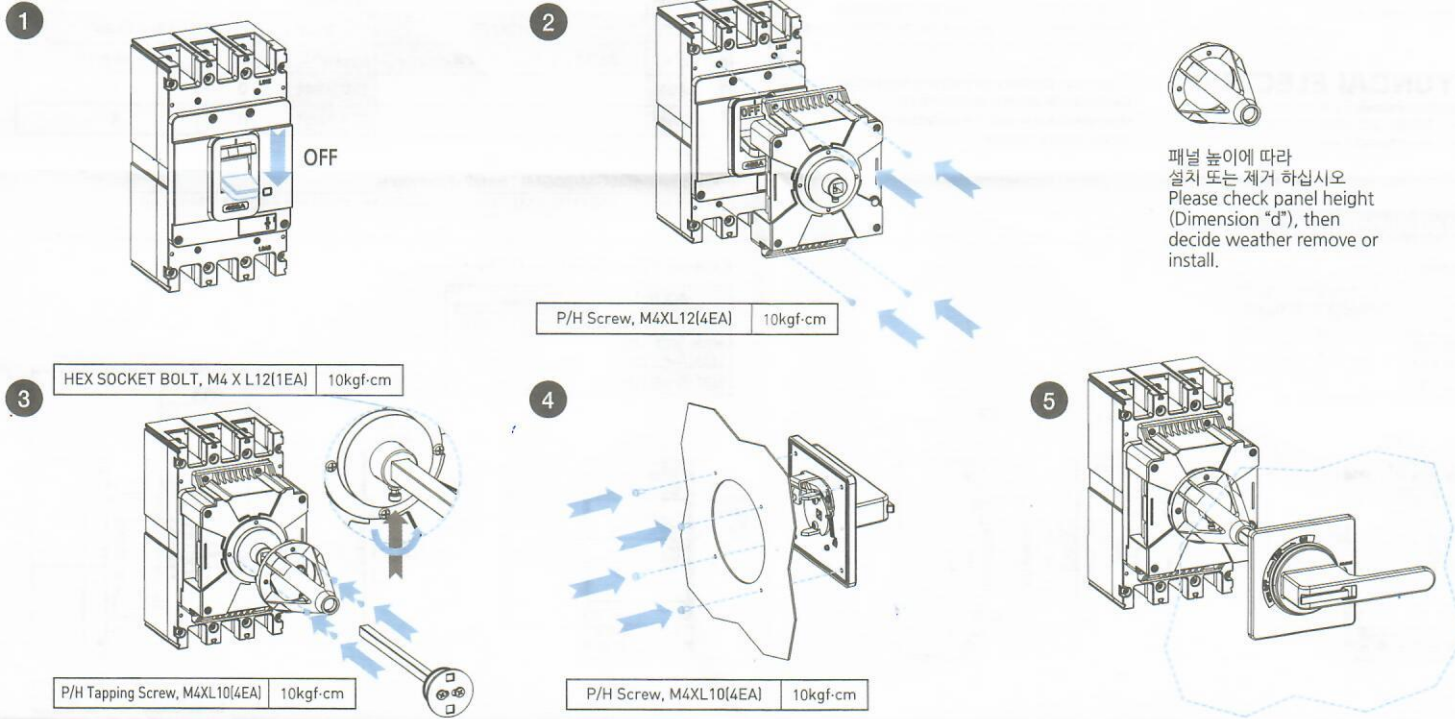


Install

Rotary handle (TFG)



Extended Rotary handle (TFH)



Operating condition

	ON	OFF	TRIP	RESET & OPEN	RELEASE	LOCKING
HGM400 HGM630/800						
Panel Door	Locked	Locked	Locked	Can open	Can open	Locked *Impossible to operation

⚠ 패널 잠금 상태에서 무리한 힘으로 문을 열면 잠금 레버가 손상 됩니다.  
If the door is opened too strongly when the panel door is locked, the handle lock lever could be damaged.